

Tilite



TALLADIUM TILITE® ALLOYS



DENTIST PACK

TALLADIUM U.K.

37b New Road, Langley, Berks SL3 8JJ

Tel: (01753) 582 788 Fax: (01753) 582 422

E-mail: info@talladiumuk.co.uk Website: www.talladiumuk.co.uk



TALLADIUM INCORPORATED
25031 Anza Drive • Valencia, CA 91355-3414



(800) 221-6449 ☎ (661) 295-0900 ☎ Fax (661) 295-0895

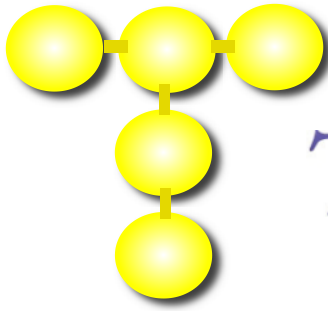
To Whom it May Concern:

This is to certify that **Talladium's Medically Pure Tilite® Ceramic Alloys with Titanium** are protected with five million dollars of insurance issued by a major United States carrier. This amount is guaranteed on each and every occurrence and provides that the Patient, Dentist and Lab will be protected worldwide when using any one of the **Talladium's Medically Pure Tilite® Ceramic Alloys with Titanium** that are placed in the mouth.

Sincerely,

Edward J. Harms, President

Talladium, Inc.



TALLADIUM U.K.

37B New Road, Langley, Berks SL3 8JJ

Tel: 01753 582 788 Fax: 01753 582 422

E-mail: info@talladiumuk.co.uk

Web: www.talladiumuk.co.uk

Dear Dentist

We would like to introduce *Talladium Tilite Medically Pure Base Alloy with Titanium* for porcelain crown and bridge.

Talladium's Bio-Medical Research Laboratory Division developed our *Medically Pure Tilite Alloys with Titanium*. These *Tilite Alloys* were then taken to three major Universities* for testing. Then, six years of work was done to get F.D.A approval and registration for medical devices implanted into the body. The *Medically Pure Tilite Ceramic Alloys* are insured for **\$5 million** by a major insurance company to protect your practice and patients.

The *Tilite's* superior bond strength**, 100% purity, the same medical purity that orthopaedic bone splints and heart valves demand, its definition of colour, especially in the white shades, its integrity and strength in solder joints, the \$5 million insurance policy to protect you, plus over 125 million units in the mouth around the world, without any biological problems, make these ceramic alloys superior to anything else that is available on the market today. Because of their medical purity the *Tilite Alloys* can be used with implants.

Most metals on a porcelain crown look medically clean when polished but when they are examined under a microscope you will see the porosity due to impurities. The sub-microscopic porosity has been shown to have bacteria that produce toxins. The resulting effects can lead to months or years of periodontal disease, such as gum bleeding, deep red circles around the gums, gums sloughing off the porcelain crown or possibly black gum disease.

Do not gamble with fake substitutes on your next case. Insist on using the very best "*Talladium's Medically Pure Ceramic Alloys with Titanium*" for your porcelain restorations. You will have cleaner, brighter shades and excellent burnish ability. Your patients will enjoy greater comfort due to its insulated qualities, reducing hot and cold sensitivity, yielding stronger joints, and resulting in better hygiene and non-magnetic properties.

The 100% purity of Tiite alloy enables you to use it instead of gold in every case apart from when you need the yellow colour of precious gold.

If you need any further information, please call Talladium UK on (01753) 582 788.

Yours faithfully

Maria Kos

Maria Kos
Partner

DYNAMIC ABUTMENTS: FREEDOM OF MOVEMENT

Have you ever experienced any of the following problems?

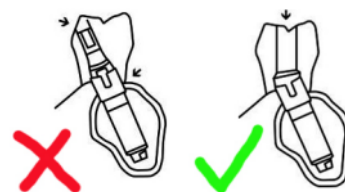
The implant case you are working on has limited bone thickness, so you have had to place the implant at an angle, and not only angled labially or buccally but also tilted mesially or distally.

By using a standard angled abutment your dental laboratory will be able to correct the buccal or labial angle but not the mesial or distal tilt. To do this, the technician would have to cut the abutment mesially or distally, reducing the size of the abutment, and thus, greatly reducing the retention of the crown. It would also mean that a screw retained crown would not be possible.

Until now...

Compatible with the majority of implant systems on the market, Dynamic Abutments® incorporate two unique features which fix these problems quickly and simply:

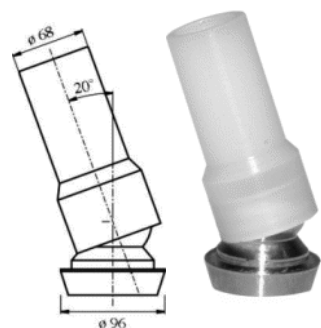
1. Dynamic Abutments® are made up of two pieces connected by an elbow joint which can be angled in any direction up to 20° to instantly correct angles with millimetre precision.
2. Wax is used to fix this position and, once cast, the Dynamic Abutment® can be screwed into place. Traditionally abutments could only be screwed in vertically but the Dynamic Abutment® System uses a specially designed screwdriver and screws so that the abutments can be tightened from any angle with ease, making the above problems obsolete.



Independent studies have shown Talladium's milled Tilite® Abutments and Dynamic Abutments® in Tilite® with Titanium to be a viable alternative to current castable components and commercial gold milled abutments, providing better control and a significant reduction in costs.

Studies have shown that they have mean mechanical static load values at a yield point higher than maximum bite forces and fatigue limits higher than peak masticatory forces of natural teeth.

Tilite milled abutments also performed well (often better) for mechanical results (static fracture strengths and fatigue limits) compared with other dental abutments from manufacturers such as Straumann, Nobel Biocare and Zimmer. (Oñate, J., Xam-mer, E., Morales, I., Atienza, C.M., 2010 *Evaluation of static and fatigue resistance of four dental abutment designs machined in Tilite with titanium*)



Milled Tilite® Abutments and Dynamic Abutments® in Tilite® are compatible with the following implant systems at the present time: Astra Tech, Biomet 3i, BTI, Eckerman, Klockner, Nobel Biocare, Straumann and Zimmer and Anyklyos compatible abutments currently in development.

Please call if you would like us to send you any further information, would like to speak to other dentists using them, or if you have any questions. **To watch a demonstration video, please visit www.talladiumuk.co.uk/pages/dynamic-dental-implant-abutments or ask your dental laboratory to contact us on 01753 582 788 or e-mail us at info@talladium.co.uk**